



# MDTE Series

## Wire Wound Molded SMD Power Inductors

### Size 4030

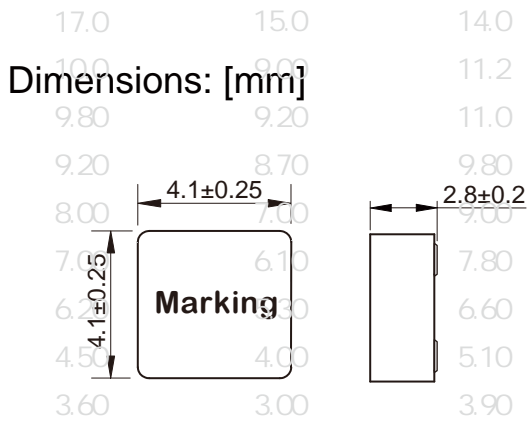


#### FEATURES

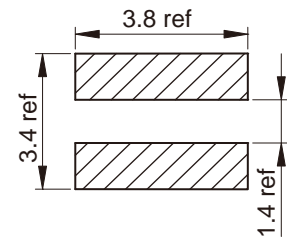
- So saturation
- High current, low DCR, high efficiency
- Very low acoustic noise and very low leakage flux noise
- High reliability
- 100% Lead (Pb)-Free and RoHS compliant
- Operating temperature -55~+125°C (Including self-temperature rise)
- Quantity: 2000pcs

#### APPLICATION

- Note PC power system, incl. IMVP-6
- DC/DC converter



#### Land Pattern: [mm]



#### Electrical Properties:

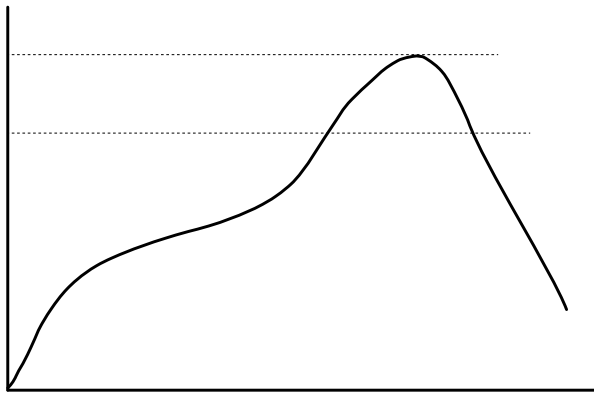


Saturation Current will cause L to drop approximately 30%

Temperature Rise Current: The actual value of DC current when the temperature rise is  $\Delta T=40^{\circ}\text{C}$



## Soldering Reflow:



Preheat condition: 150 ~200°C / 60~120 sec.

Allowed time above 217°C: 60~90 sec.

Max temperature: 260°C.

Max time at max temperature: 10 sec.

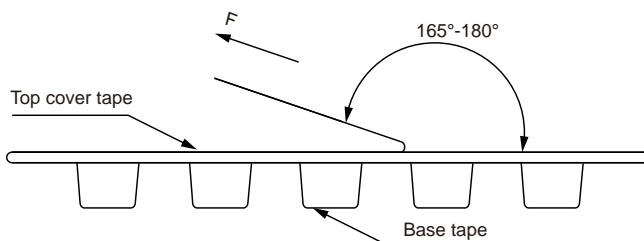
Allowed Reflow time: 2x max.

## Packaging Information:

Tape Dimension:

Series	A0 (mm)	B0 (mm)	D (mm)	P0 (mm)	P1 (mm)	W (mm)	K0 (mm)	E (mm)	T (mm)
MDTE4030	4.5± 0.1	4.5± 0.1	1.5± 0.1	4.0± 0.1	8.0± 0.1	12.0± 0.3	3.3± 0.1	1.75± 0.1	0.35± 0.05

Peel force of top cover tape:



The peel force of top cover tape shall be between 0.1 to 1.3 N



Reel Dimension: [mm]



Packaging Quantity: